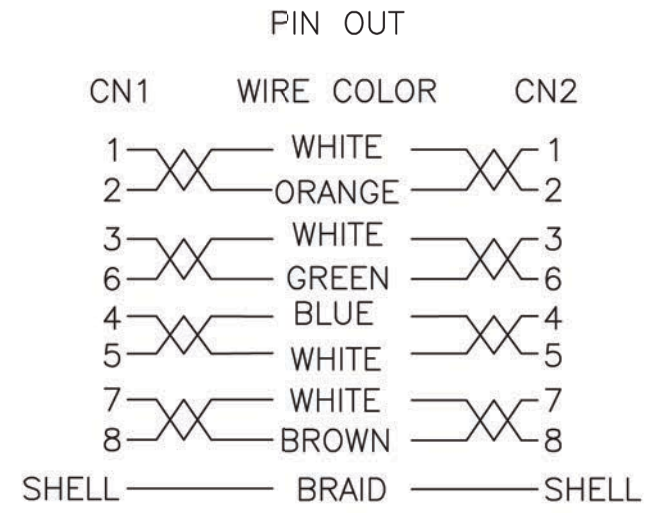


MATERIAL LIST:

| NO. | PARTS NAME | SPECIFICATION DESCRIPTION |
|-----|----------------|---|
| ① | CABLE | SSTP (27AWG *1PR+A)*4+B+PVC or LSOH OD:5.6±0.2mm COLOR:Assorted upon request |
| ② | RJ45 CONNECTOR | RJ45,8P8C,TWO FORK GOLD PLATED CONTACTS WITH METAL HOUSING |
| ③ | MOLDING PVC | MOLDING PVC 45P COLOR:Assorted upon request |



REACH and ROHS2.0 compliant
 ELECTRONIC TEST:
 A.OPEN/SHORT/INTERMITTENCE: 100%.
 ISO/IEC 11801 ANSI/TIA 568C.2
 fluke Channel test pass

| | | | | | | |
|------------|--------|-------------|------------|------|-----|-------|
| REMARK NO | CHA.NO | SIGNATURE | DATE | SIGN | W.T | SCALE |
| DRAWN BY | Renzhi | | | | | |
| CHECKED BY | | | | | | |
| AUDITED BY | | APPROVED BY | | | | |
| CRAFT | | DATE | 2015.08.25 | PAGE | OF | |

ALLIANCE

CAT6A S/FTP

RÉFÉRENCE :
 ALLCOR6ASF X
 ALLCOR6ASF X GRZ